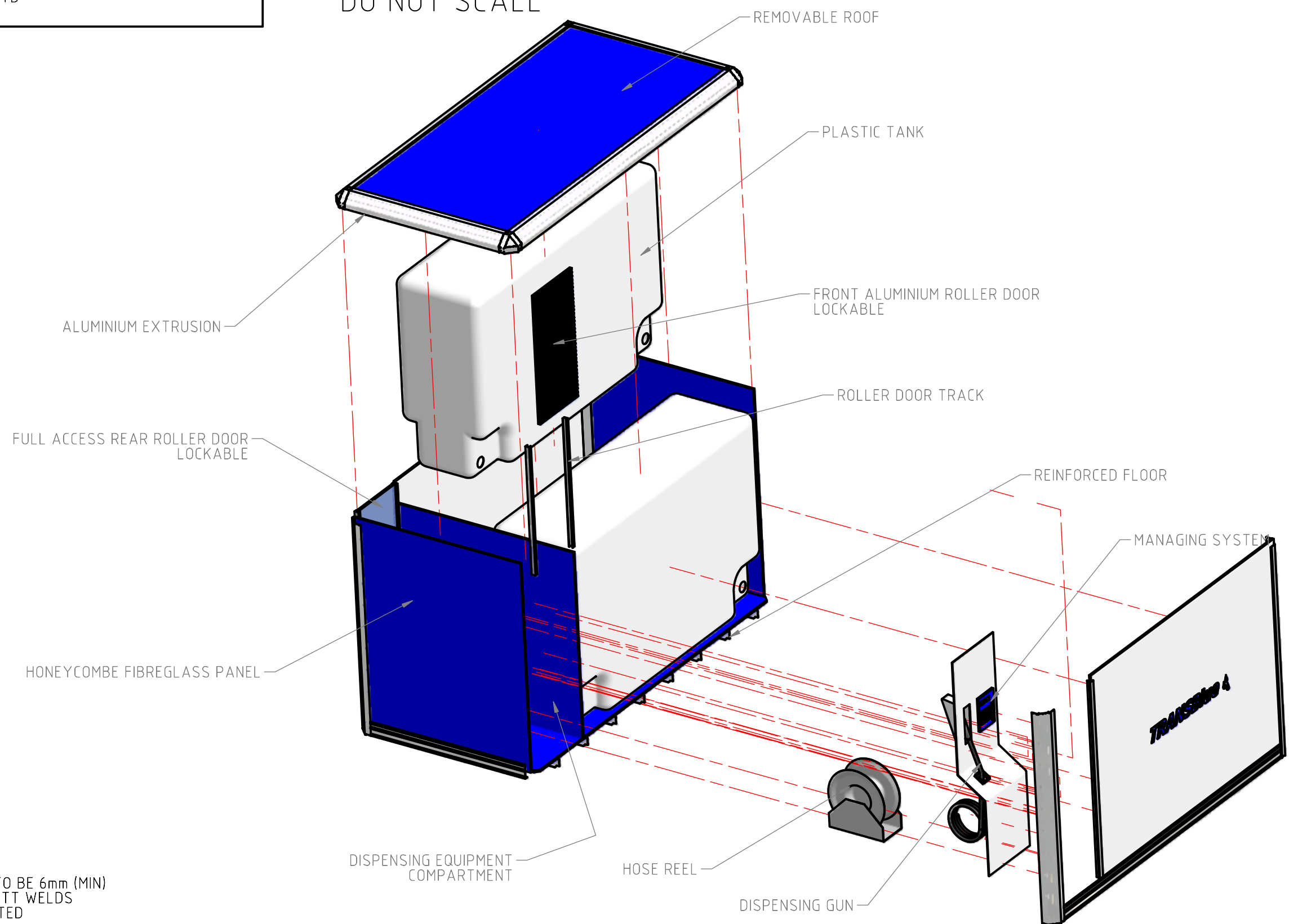


DO NOT SCALE



ALL WELDS TO BE 6mm (MIN)
FILLET OR BUTT WELDS
UNLESS STATED
OTHERWISE

PART	FINISH	<p>TOLERANCES: ALL DIMENSIONS IN MM UNLESS STATED OTHERWISE ALL TOLERANCES TO BE AS FOLLOWS: 0 ± 2 0.0 ± 0.5 0.00 ± 0.1 ANG ± 0.5° DRAWN TO AS1100</p>	DRAWN BD	DATE	<u>TRANSTANK</u>		
	<p>CONFIDENTIAL This document and all information contained within it remains the property of TRANSTANK PTY LTD and specified parties deemed by TRANSTANK Pty Ltd. No part of this document may be copied without explicit consent of TRANSTANK PTY LTD. © TRANSTANK PTY LTD 2001</p>		DESIGN/CHECKED	DATE			
APPROVED BD		DATE	DRAWING NO TBTD	SHEET SIZE A3			
CONFIGURED BD		DATE			SCALE: DNS	APPR MASS:	SHEET 1 OF 1