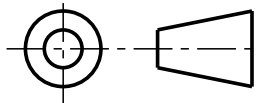


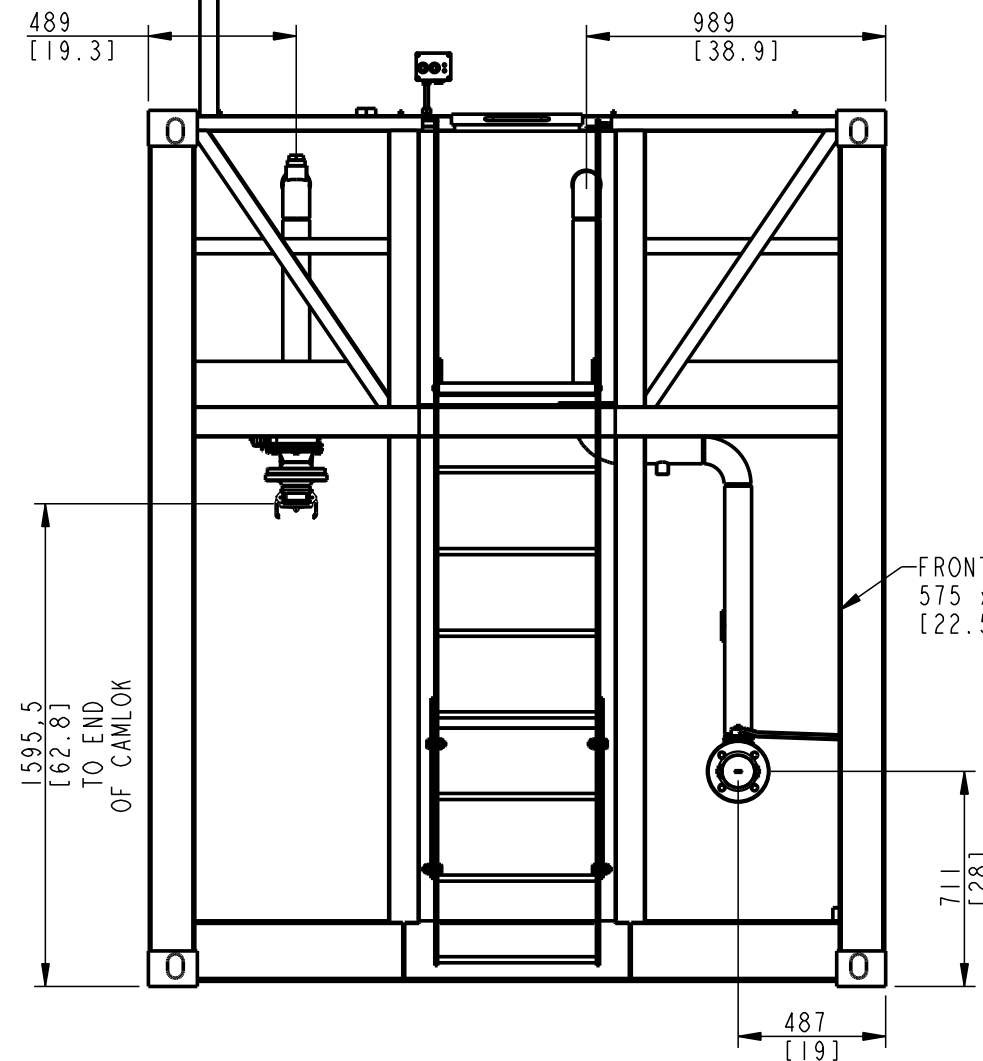
DRAWING NO
T-000-GA01

DO NOT SCALE



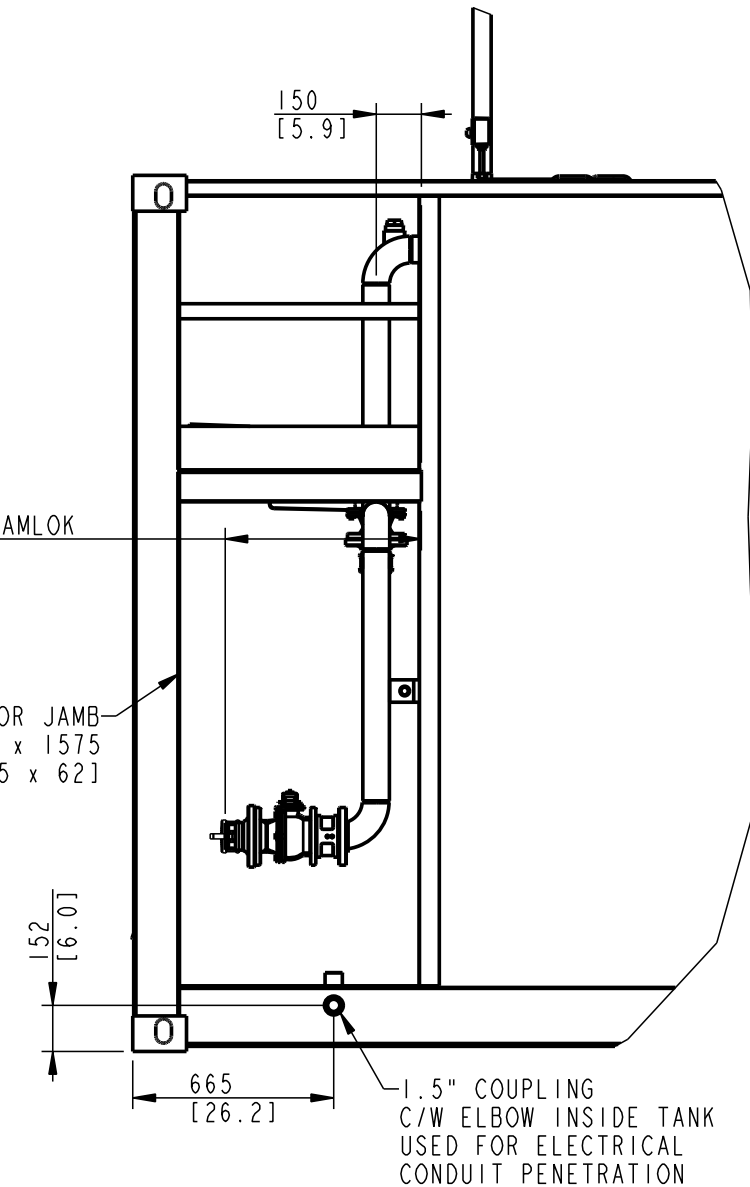
ISSUE	DATE	DESCRIPTION	APPROVED	ZONE
01	22-Aug-07	ORIGINAL ISSUE	TRANSTANK	ALL
02	25-Jan-08	DIMENSIONS MODIFIED	TRANSTANK	ALL

USED ON



649.8 TO END OF CAMLOK
[25.6]

SIDE OPENING DOOR JAMB
725 x 1575
[28.5 x 62]



PART: T-000-GA01

FINISH: PAINT ON COMPLETION

TOLERANCES:
ALL DIMENSIONS IN MM

UNLESS STATED OTHERWISE ALL
TOLERANCES TO BE AS FOLLOWS:

0 ±
0.0 ±
0.00 ±
ANG ±

DRAWN TO AS1100

DRAWN
DESIGN TEAM

DATE
22-Aug-07

DESIGN/CHECKED
DESIGN TEAM

DATE
22-Aug-07

APPROVED
TRANSTANK

DATE
22-Aug-07

CONFIGURED
DOCUMENT
CONTROLLER

DATE
22-Aug-07

TRANSTANK

TITLE
**TRANSTANK PRODUCT
COMMON FEATURES
GENERAL ARRANGEMENT**

MATERIAL: REFER COMPONENTS

CONFIDENTIAL

This document and all information contained within it
remains the property of TRANSTANK PTY LTD
and specified parties deemed by TRANSTANK Pty Ltd
No part of this document may be copied without
explicit consent of TRANSTANK PTY LTD
© TRANSTANK PTY LTD 2001

DRAWING NO

T-000-GA01

SHEET
SIZE
A3

SCALE 1:25

APPR MASS:

SHT 2 OF 4

ISS: 02